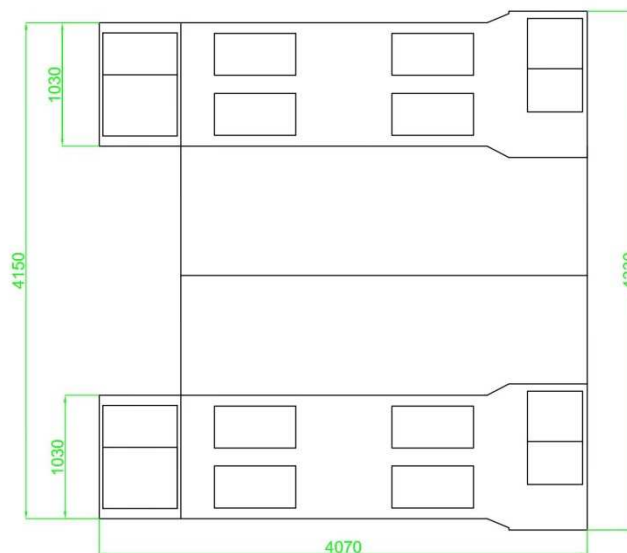
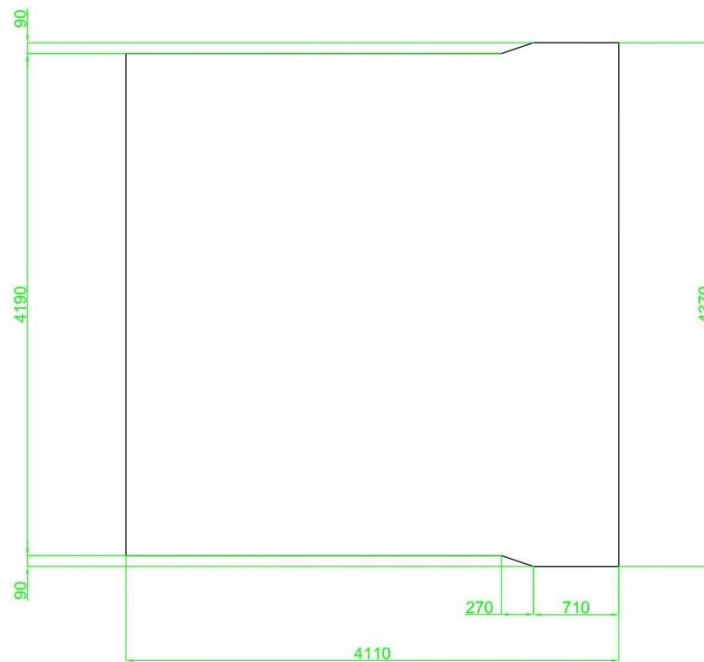
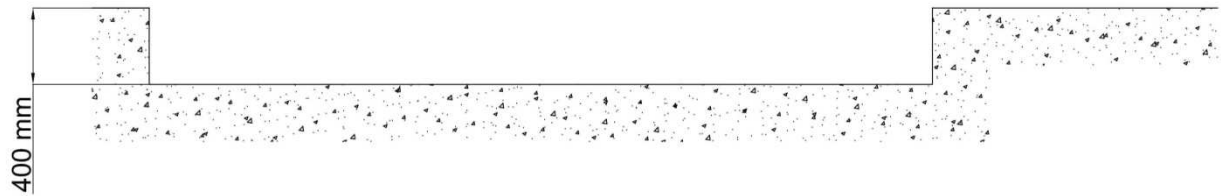


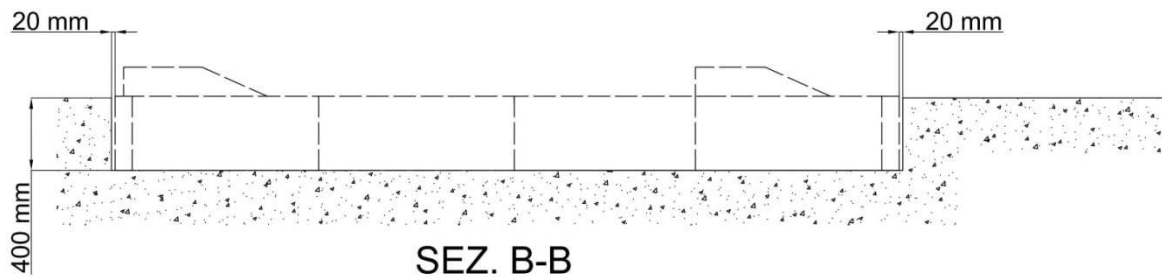
Dimensions to prepare the floor installation of the test bench



Dimensions to prepare the floor installation of the test bench

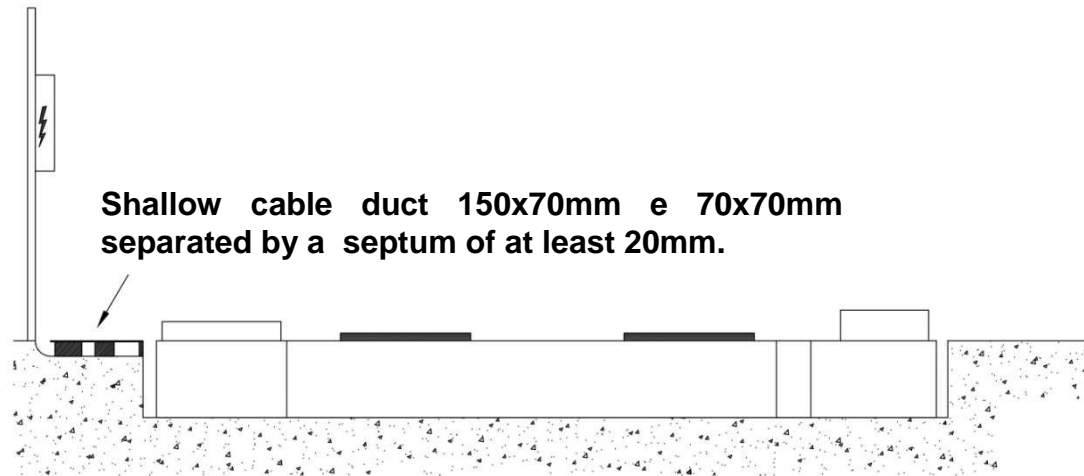


SEZ. A-A



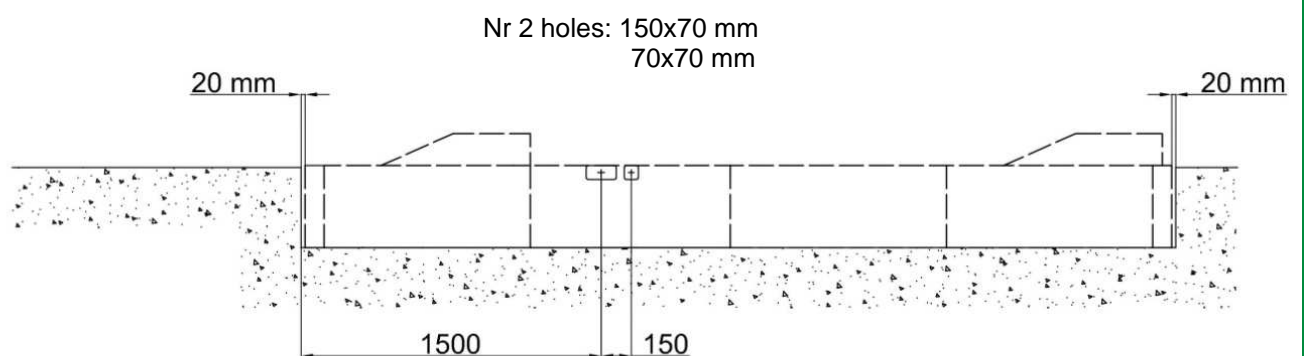
SEZ. B-B

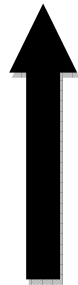
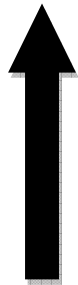
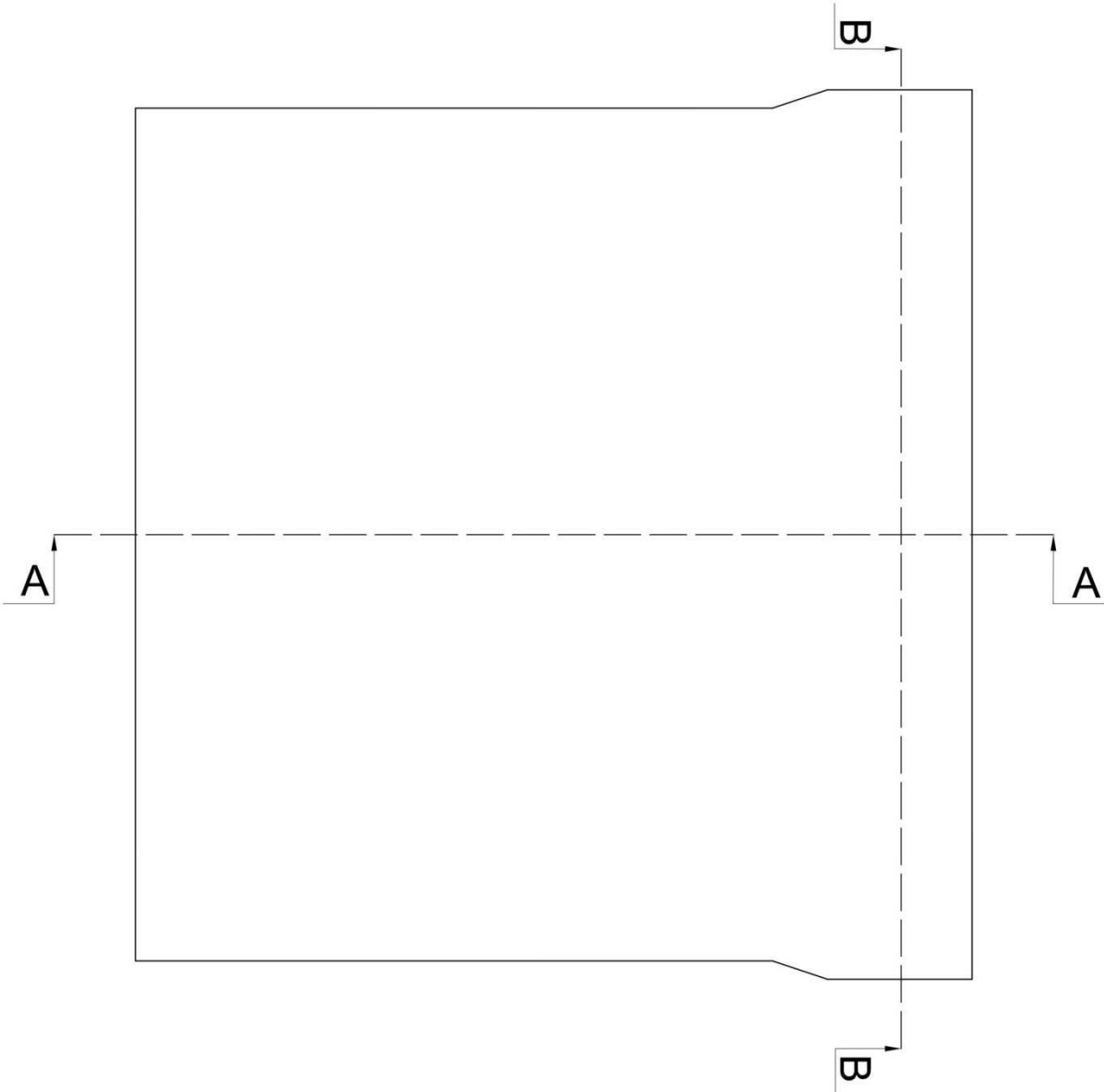
Dimensions to prepare electric and pneumatic duct IN SURFACE



Type of hole or cable duct

Car entrance direction





Car entrance direction